

**** PROPRIETARY DATA ****
 THIS DOCUMENT CONTAINS DATA WHICH IS PROPRIETARY OR CONFIDENTIAL TO WV COMM (WV COMMUNICATIONS INCORPORATED). THIS DOCUMENT AND THE DATA CONTAINED HEREIN SHALL NOT BE USED, DUPLICATED, OR ALTERED WITHOUT THE EXPRESSED WRITTEN CONSENT OF WV COMM. ALL RIGHTS ARE RESERVED.

REVISIONS				
ZONE	REV	DESCRIPTION	DATE	APPROVED
	A	RELEASED	1/16/20	JO

D

C

B

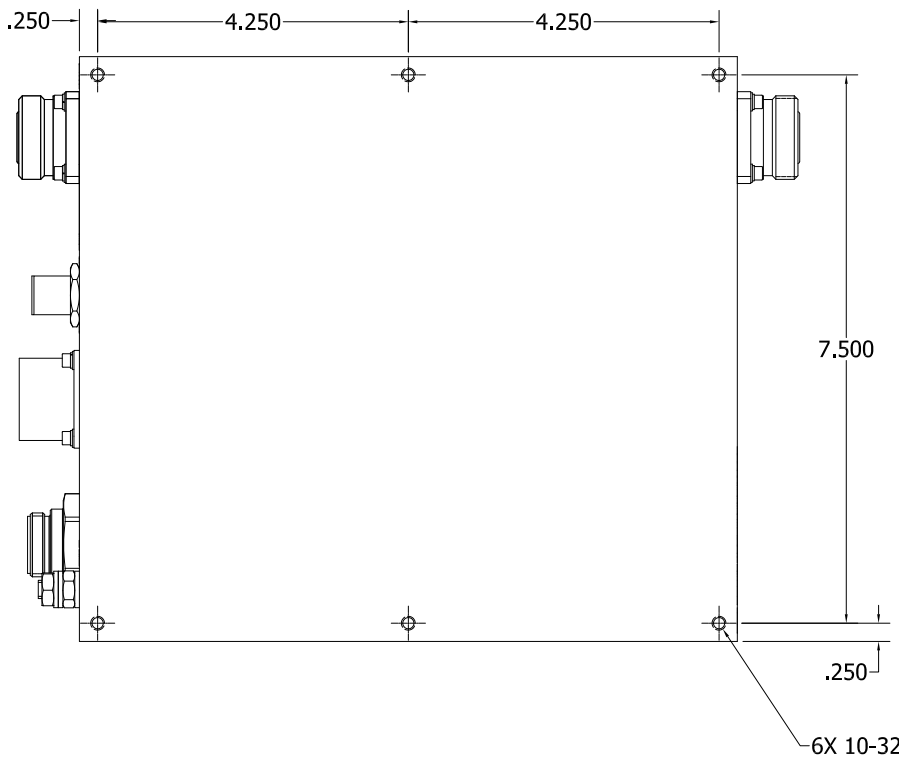
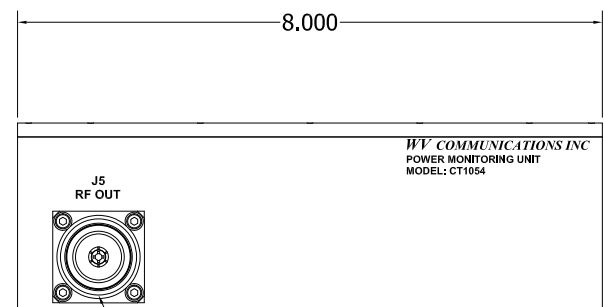
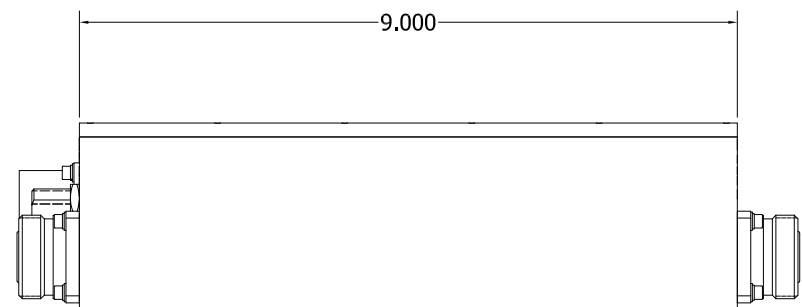
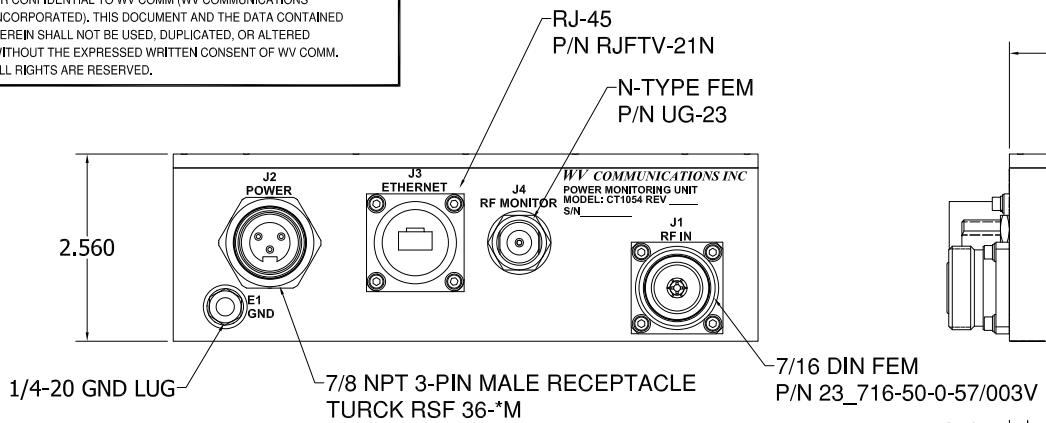
A

D

C

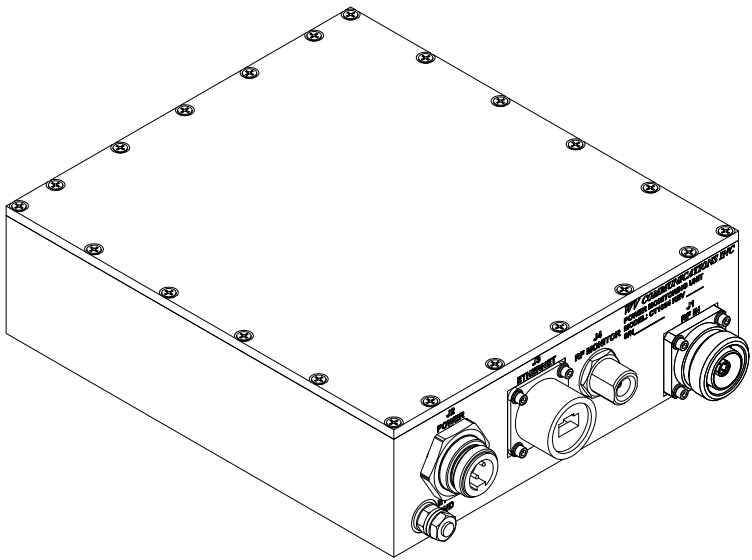
B

A



7/16 DIN FEM
P/N 23_716-50-0-57/003V

6X 10-32 UNF - 2B .54



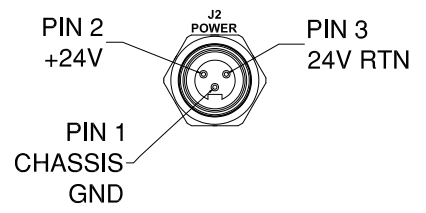
SPECIFICATION SUMMARY:

OPERATING RF RANGE: 1750-2120MHz
RF POWER HANDLING: 500W Minimum
FWD RF POWER RSSI ACCURACY: ±0.5dB Maximum
FWD/RFL RF POWER RSSI RESOLUTION: 0.1dB Nominal
VSWR RESOLUTION: 0.01:1Nominal
RF MONITOR LEVEL: 50dBc±2dB Maximum
MONITOR & CONTROL INTERFACE: Ethernet UDP/IP
MONITOR & CONTROL: FWD/RFL Power, VSWR, Temperature, Alarms Threshold, Alarm reset

ENVIRONMENTAL:
OPERATING TEMPERATURE RANGE: -40 to +55°C
STORAGE TEMPERATURE RANGE: -50 to +85°C
OPERATING RELATIVE HUMIDITY: 0 - 100% Condensing
OPERATING ALTITUDE: 0-10,000 Feet
MTBF: 40,000 Hours Minimum
DCPOWER INPUT: +24VDC at 1A Maximum
ENCLOSURE COLOR: AQUAMET 100 WHITE

EXTERNAL INTERFACE CONNECTORS				
REFDES.	DESCR	CONN TYPE	P/N	MATE
J1	RF IN	7/16 DIN F	23_716-50-0-57/003V	7/16 DIN M
J2	POWER	TURCK	RSF36-0.3M/14.75/NPT	RKM36-*M
J3	ETHERNET	RJ-45	RJFTV21N	RJFTV6N
J4	RF MONITOR	N-F	UG-23	N-M
J5	RF OUT	7/16 DIN F	23_716-50-0-57/003V	7/16 DIN M

J3 - ETHERNET	
PIN NO.	PIN NAME
1	TX+
2	TX-
3	RX+
4	N/C
5	N/C
6	RX-
7	N/C
8	N/C



J2 - POWER IN	
PIN NO.	PIN NAME
1	CHASSIS GND
2	+24V
3	24V RTN

APPROVALS	DATE
DRAWN: JO	1/16/20
CHECKED: TT	1/16/20
MECH ENGR: JO	1/16/20
ELEC ENGR: UY	1/16/20
PRODUCTION: AM	1/16/20
Q.A.: SG	1/16/20

UNLESS OTHERWISE SPECIFIED: DIMENSIONS ARE IN INCHES. TOLERANCES ARE:
 FRACTIONS: DECIMALS: ANGLES: HOLES:
 ± 1/64 .XXX.01 ±0°30' .XXX+.005
 .XXX.005 .XXX+.003
 MACHINED FINISH: 32 RMS REMOVE BURRS .005 MAX
 MATERIAL: FINISH: DO NOT SCALE DRAWING

APPROVALS	DATE
DRAWN: JO	1/16/20
CHECKED: TT	1/16/20
MECH ENGR: JO	1/16/20
ELEC ENGR: UY	1/16/20
PRODUCTION: AM	1/16/20
Q.A.: SG	1/16/20

WV Communications 1125-A Business Center Circle
Newbury Park, CA

OUTLINE POWER MONITORING UNIT CT1054

SIZE	CAGE CODE	DWG. NO.	REV
D	1GFQ7	050-51099	A

SCALE: NONE SHEET 1 OF 1

REV A
DWG NO: 050-51099